

Ladders

Range of steps for in-ground and above-ground pools

by PROCOPI



H²O



Biltmore

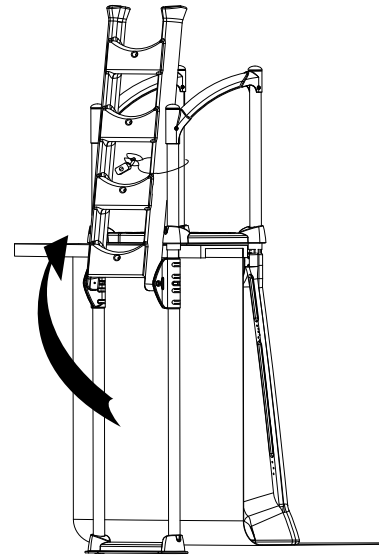
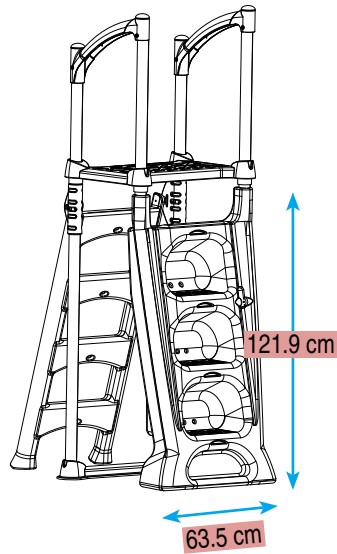


Fiesta



Tux

H²O steps for above-ground pools



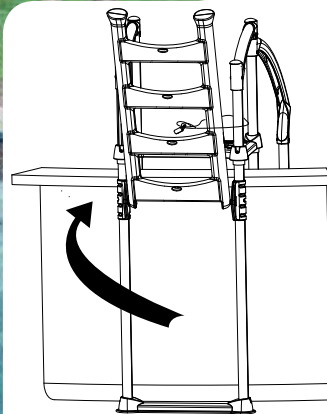
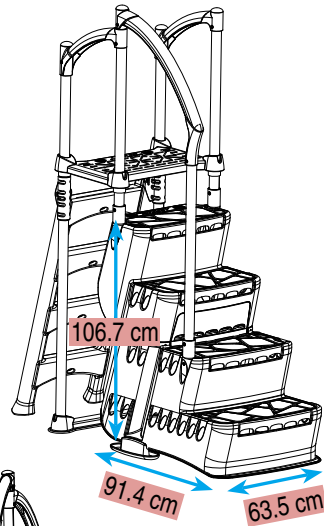
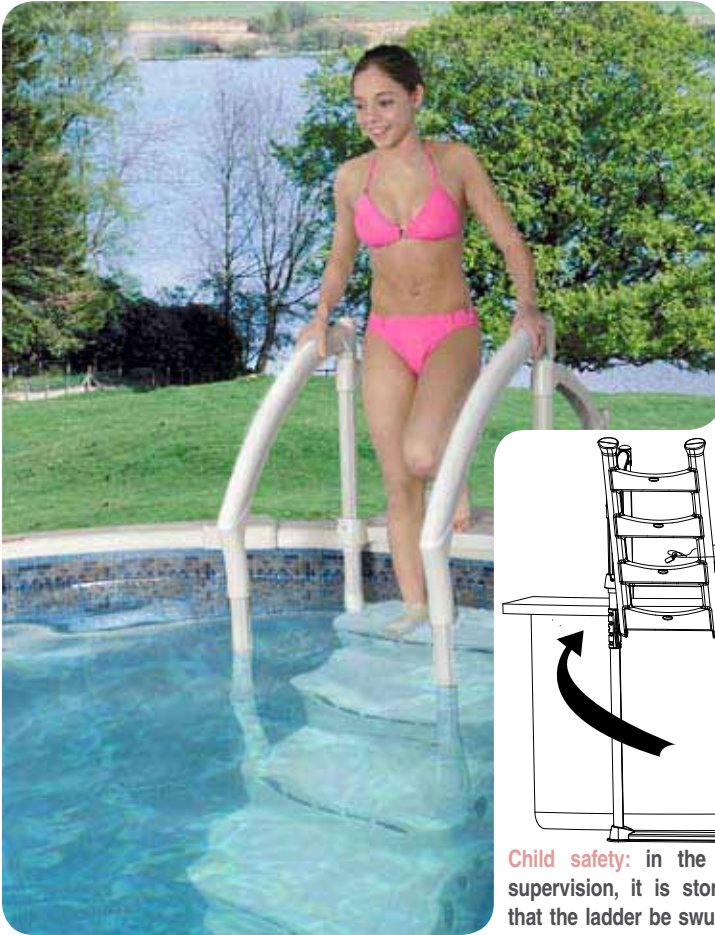
Child safety: in the absence of adult supervision, it is strongly recommended that the ladder be swung up into the safe position.

Technical data:

- New double ladder, specially designed so that the solid section lies perfectly flat against the pool wall to prevent a child from being stuck between the ladder and the wall. This section fills with water to ballast the assembly.
- UV resistant polyethylene.
- Comes with straps to attach the ladder to the pool (between the ladder platform and the pool coping).
- For rigid above-ground pools, height 1.20 m to 1.35 m,
- Maximum weight borne : 180 kg.



BILTMORE steps for above-ground pools



Child safety: in the absence of adult supervision, it is strongly recommended that the ladder be swung up into the safe position.

Technical data:

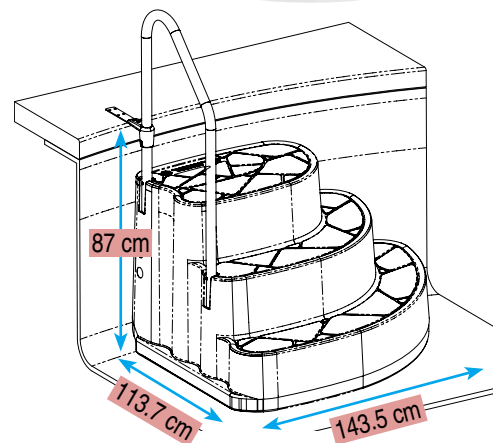
- Hand rails equipped with dual purpose grips: to facilitate access to the pool and to block the steps in the safe position.
- UV resistant polyethylene.
- Stabilised by ballast in the lowest step.
- Space under the steps to allow circulation of water and prevent the growth of algae.
- For rigid above ground pools, height 1.20 m to 1.35 m.
- Platform height is adjustable.
- Wide treads, tilted for safer access.
- Space for a padlock (not provided),
- Maximum weight borne : 120 kg.

TUX steps for in-ground pools



Technical data:

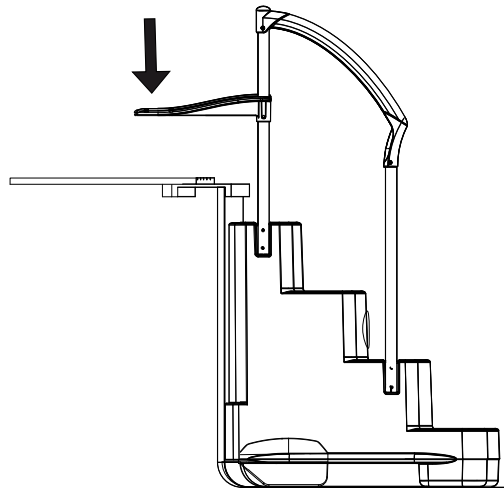
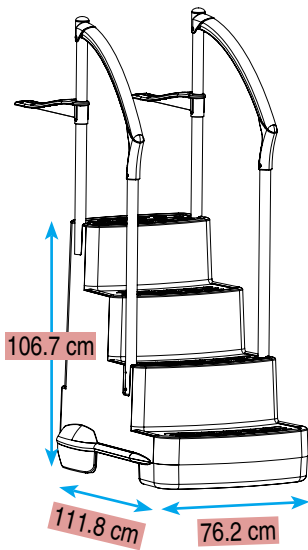
- Greater stability, facilitates entry into and exit from the pool.
- UV resistant polyethylene,
- Stainless steel hand rail with stainless steel fastener, height adjustable.
- The reduced height between the pool and the step tread renders the step safer for use by children.
- Non-slip surface.
- The inside of the step can hold 5 bags of sand.
- For in-ground pools more than 85 cm high,
- Maximum weight borne : 180 kg.



Ladders

by PROCOPI

FIESTA steps for in-ground pools



Technical data:

- UV resistant polyethylene,
- Tow hand rails,
- Non-slip, ergonomic and visually appealing,
- Stabilised by ballast in the lowest step,
- For in-ground pools, 1.20 m to 1.35 m high,
- Space under the steps to allow circulation of water and prevent the growth of algae,
- Maximum weight borne : 180 kg.



All steps are guaranteed 2 years,
1 year for hardware.

Dealer's stamp: